



# LINTELS

## SINGLE LEAF LINTEL (LINTEL ANGLE FOR BRICK CLADDING)



### APPLICATION:

To support OUTER leaf only, with ANY cavity width. To span 300mm to 3000mm. The performance data for the L.A. and the L.A.ss are the same. When ordering specify lintel name and length (at least 300mm longer than the opening).

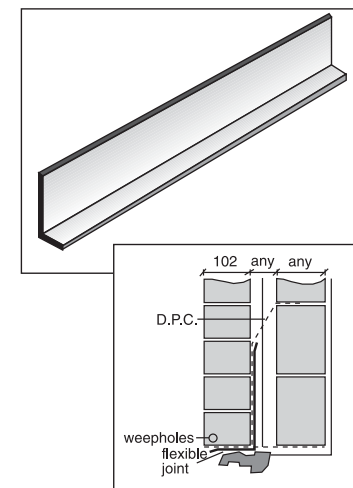
### SPECIFICATION:

L.A. (Mild Steel) is manufactured from hot dipped BS EN 10142: 1991, DX 51D+Z275 G600. L.A.ss is manufactured from Stainless Steel to BS 1449 : Part 2:1975. Grade 304 S15.

Eliminates cold bridges. Used in timber frame, traditional and refurbishment. The Lintel Angle does not need to be fixed to the inner leaf. It should be propped during construction if more than 1800mm long.

### THE LINTEL ANGLE IS AVAILABLE IN TWO VERSIONS:

L.A. (Mild Steel) galvanised and painted, or L.A. stainless steel.



### LENGTHS AVAILABLE

750mm	2100mm
900mm	2250mm
1050mm	2400mm
1200mm	2550mm
1350mm	2700mm
1500mm	2850mm
1650mm	3000mm
1800mm	3150mm
1950mm	3300mm

REFERENCE	L.A. (MILD STEEL)					L.A. (STAINLESS STEEL)				
Lintel Lengths	600	1950	2550	2850	3150	600	1950	2550	2850	3150
(available in increments of 150mm)	1800	2400	2700	3000	3300	1800	2400	2700	3000	3300
Height (H) (mm)	119	158	215	215	215	119	158	215	215	215
Allowable Safe UDL (kN)	6.0	10.3	14.2	12.6	11.4	6.0	10.3	14.2	12.6	11.4
Zx-x (cm <sup>3</sup> )	11.1	18.8	33.3	33.3	33.3	11.1	18.8	33.3	33.3	33.3
Lx-x (cm <sup>4</sup> )	93	201	462	462	462	93	201	462	462	462
Allowable Moment (kNm)										
Max.Web Buckling at Supports (kN)										
Weight per Meter (kg)	5.3	6.3	7.8	7.8	7.8	5.5	6.6	8.1	8.1	8.1



Galtee Valley Enterprise Park, Ballylanders, Co. Limerick  
Tel: 062 46290, Fax: 062 46291, E-mail: info@batmetalwork.com

[www.batmetalwork.com](http://www.batmetalwork.com)