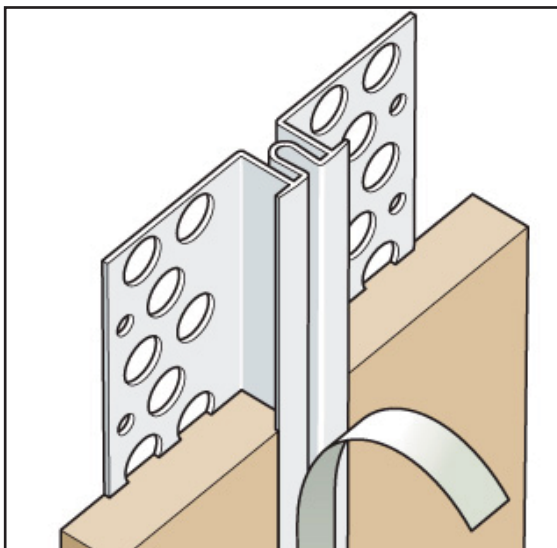




# PLASTERERS ACCESSORIES

## PVC MOVEMENT BEAD



Used where the underlying substrate changes, or where minor movement in the structure beneath the render is expected. Movement beads can also be used where changes in render colour are specified. Movement beads should **NOT** be used over structural movement joints.

PRODUCT CODE	SIZE	QUANTITY
PMB 010	10MM X 2.5 METRE	25 LENGTHS PER BOX
PMB 020	20MM X 2.5 METRE	25 LENGTHS PER BOX