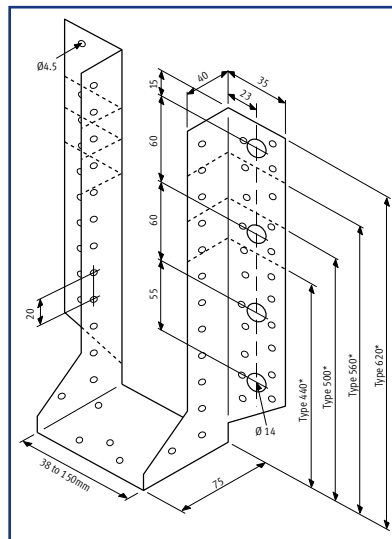
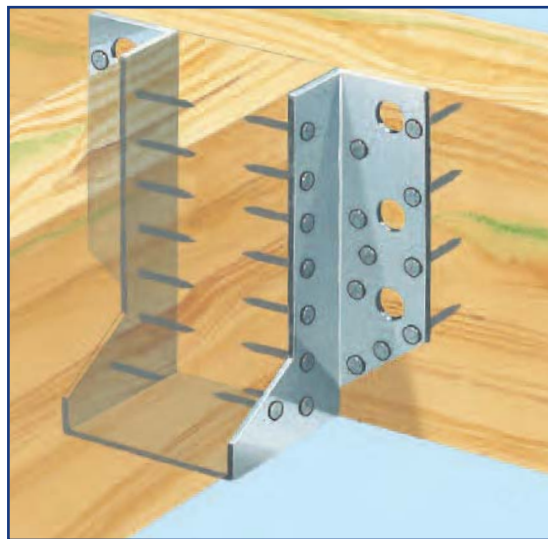




# JOIST HANGERS

## MAXI SPEEDY JOIST HANGERS FOR HEAVY DUTY LOADING (BLOCK TO TIMBER / TIMBER TO TIMBER)



Speedy Joist Hangers provide a quick and safe method of joist trimming for light, medium and heavy duty joists. The unparalleled range of BAT trimming hangers are designed to meet every joist connecting application likely to occur.

### Maxi Speedy Permissible Safe Working Loads (kN)

#### NAILS ONLY

Type	No. of Nails Into Face	SWL kN.
240	12	3.9
335	18	5.9
380	20	6.5
500	32	10.5
560	38	11.2
620	44	13.0

#### BOLTS ONLY

Type	No. of Bolts Into Face	SWL kN.
240	2	3.6
335	4	6.9
380	6	10.1
500	6	10.1
560	6	10.1
620	8	13.0

3.75 x 30mm long square twisted sherardised

M12 Bolts

#### COACH SCREWS

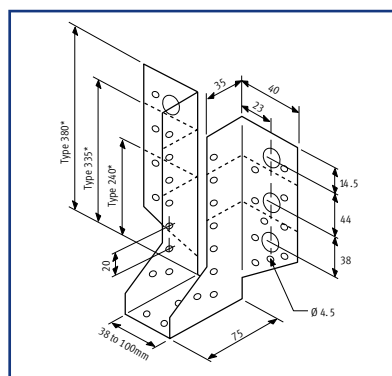
Type	No. of Coach Screws Into Face	SWL kN.
240	2	3.0
335	4	5.9
380	6	8.6
500	6	8.6
560	6	8.6
620	8	11.1

12mm  $\phi$  x 63mm long (min). USING STARTER HOLES

#### MASONRY ANCHORS

Bolt Size	No. of Bolts Into Face	SWL's for Masonry Strengths of				
		20N	15N	7N	3.5N	2.8N
12mm	2	7.2kN	5.4kN	2.5kN	1.2kN	1kN
12mm	4	14.4kN	10.5kN	5kN	2.5kN	2kN
12mm	6	21.0kN	15.5kN	7.5kN	3.7kN	3kN

Indicative loads: refer to fixings supplier for recommended loads



	DEPTH(mm)	WIDTH(mm)
TYPE 240	101	38
	98	44
	95	50
	83	75
TYPE 380	171	38
	168	44
	165	50
	158	63
	152	75
	146	88
	140	100
TYPE 500	231	38
	228	44
	225	50
	218	63
	212	75
	206	88
	200	100
	187	125
	175	150
TYPE 620	291	38
	288	44
	285	50
	278	63
	272	75
	266	88
	260	100
	247	125
	235	150



Galtee Valley Enterprise Park, Ballylanders, Co. Limerick  
Tel: 062 46290, Fax: 062 46291, E-mail: info@batmetalwork.com

[www.batmetalwork.com](http://www.batmetalwork.com)